

# Guiding Light for Your Mailbox

PLEASE **SAVE THESE INSTRUCTIONS** FOR FUTURE USE

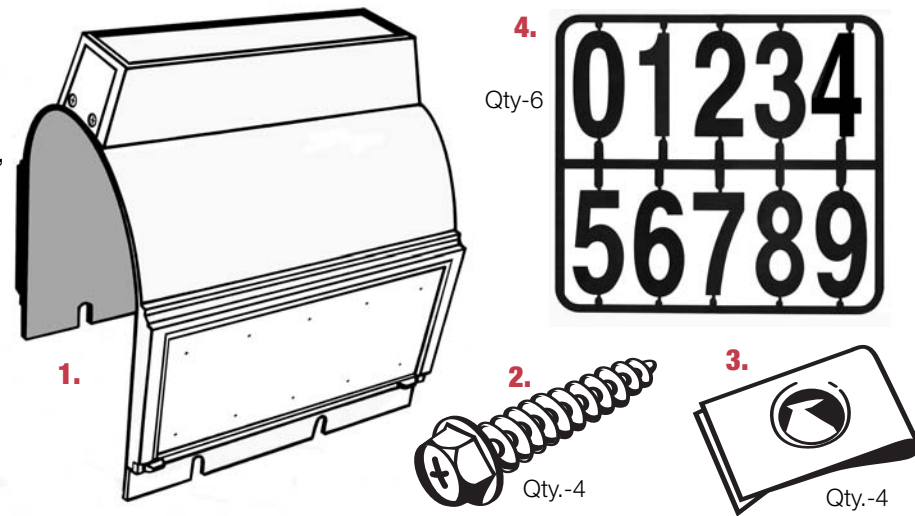
## Inside the package

### Guiding Light for your Mailbox (Saddle)

1. Solar cell, rechargeable "C" cell batteries, and clear plastic house number plates - already installed
2. 1" Screws (4)
3. U Clips (4)
4. Sets of house numbers, 0-9 (6)

### Tools needed:

**Phillips Head Screwdriver** or **5/16 Nut Driver**



## 1. Installing house numbers

(A) Remove your house numbers from the number sets\*

(B) To remove clear plastic number plate

- Push tabs from side and pull downward to remove plastic number plate from the saddle see. **Fig. 1**

### Footnote

- \* If you need letters or extra house numbers go to our website [www.guidingmailbox.com](http://www.guidingmailbox.com) or call our toll free number 888-928-2455 8am to 5pm East Coast Time

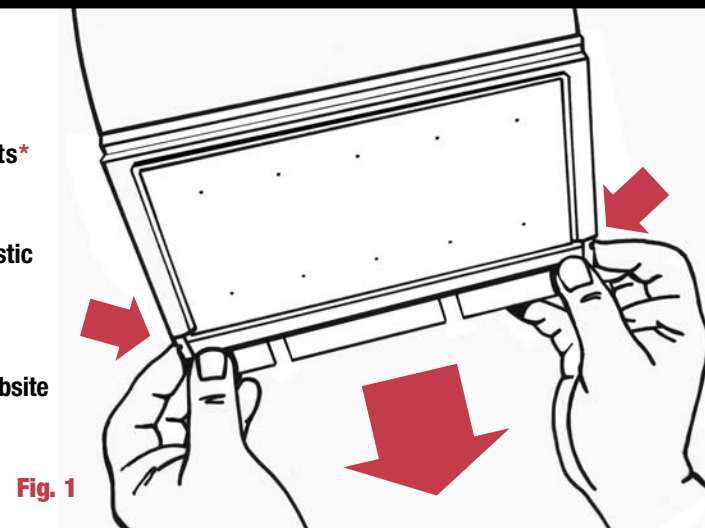


Fig. 1

## To install house numbers

(C) Hold number plate in both hands

- Slightly twist clear plastic numbers plate until they snap open to remove number plate cover. **Fig. 2**
- Place bottom of the plate on a flat surface
- Center your numbers on the plate and insert pins on the back of the numbers into the holes

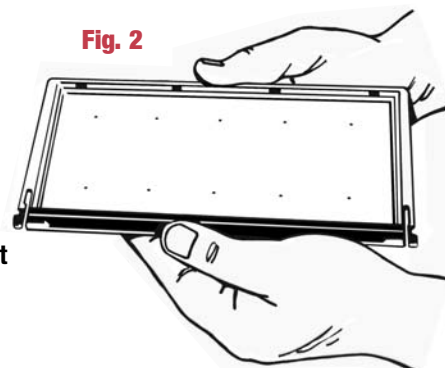


Fig. 2

(D) Insert top plate into the bottom plate, aligning the 3 tabs (top plate) with the 3 slots (bottom plate), then snap together. **Fig. 3**

- Make sure top plate is fully closed

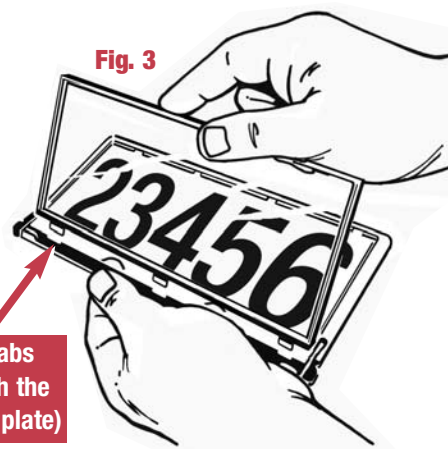


Fig. 3

align the 3 tabs (top plate) with the 3 slots (bottom plate)

## 1. Continued

(E) Slide clear plastic number plate into the track until it snaps in place. **Fig. 4**

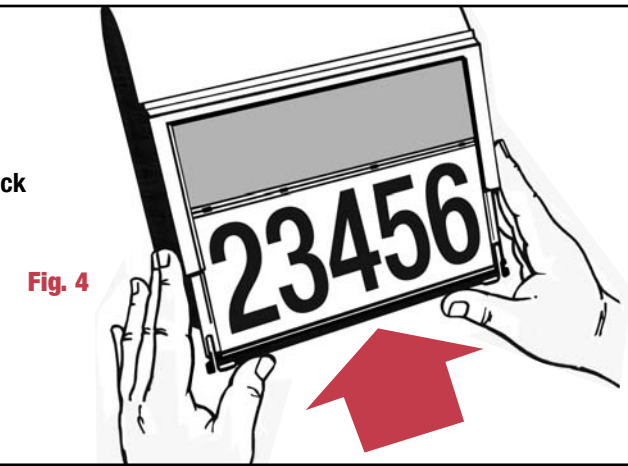


Fig. 4

## 2. Installing saddle onto mailbox

- Position saddle towards rear over mailbox
- Make sure arrow points towards door of mailbox. **Fig. 5**
- Make sure holes line up with mailbox both sides. **Fig. 5**
- If screws exist in those 4 holes remove them
- Remove saddle from mailbox, take 4 U clips and slide onto mailbox until holes line up (Flat part of U Clip facing outward) **Fig. 6**
- Reposition saddle onto mailbox. Screw into place (2 screws - each side)

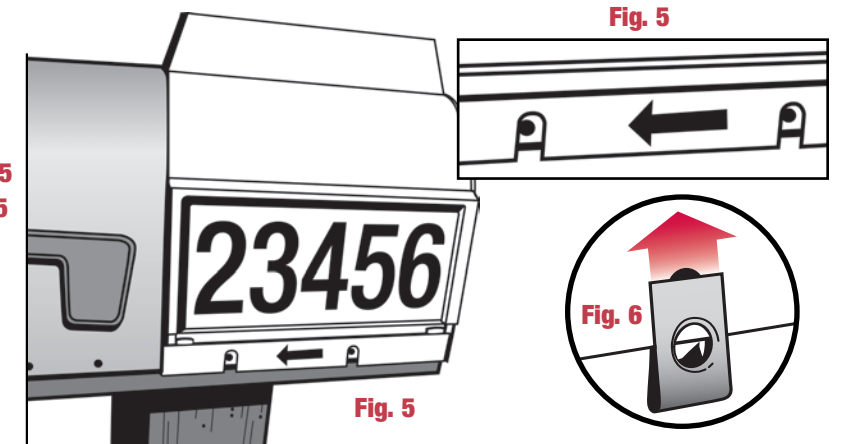


Fig. 5

Fig. 6

## 3. Activating Guiding Light for your Mailbox

Simply pull and remove white tab to activate. **Fig. 7**

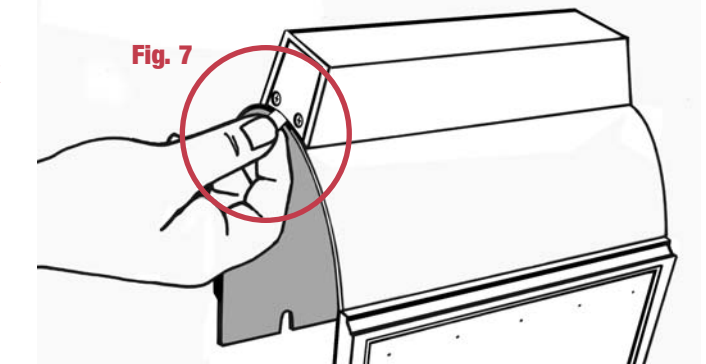


Fig. 7

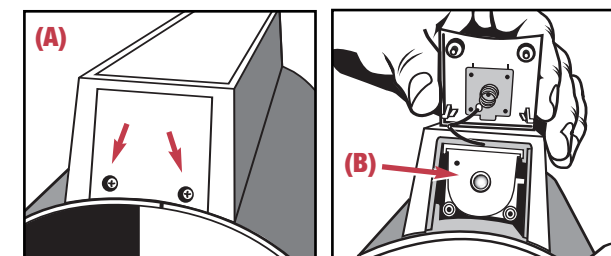
## Battery Replacement

The rechargeable "C" cell batteries are designed to last **3 years**. Follow these instructions when replacing rechargeable batteries.

### Tools needed:

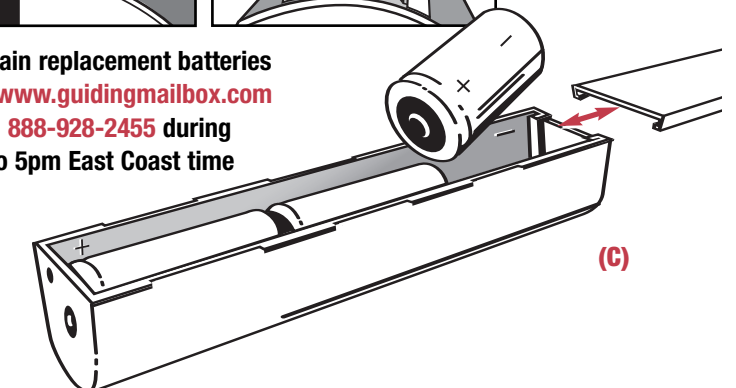
**Small Phillips Head Screwdriver**

- Using a Phillips head screwdriver remove both screws then remove battery compartment cover (A)
- Pull out battery case (B)
- Slide cover off battery case to the rear (negative end), and remove old rechargeable "C" cell batteries, then replace with new batteries (C)
- Replace cover, sliding cover from the rear (negative end) to front.
- Insert battery case with the flat side facing up and negative end first into the top of the saddle
- Replace battery compartment cover and screws



Please recycle your old batteries at your local recycling center

To obtain replacement batteries go to [www.guidingmailbox.com](http://www.guidingmailbox.com) or call 888-928-2455 during 8am to 5pm East Coast time



(C)